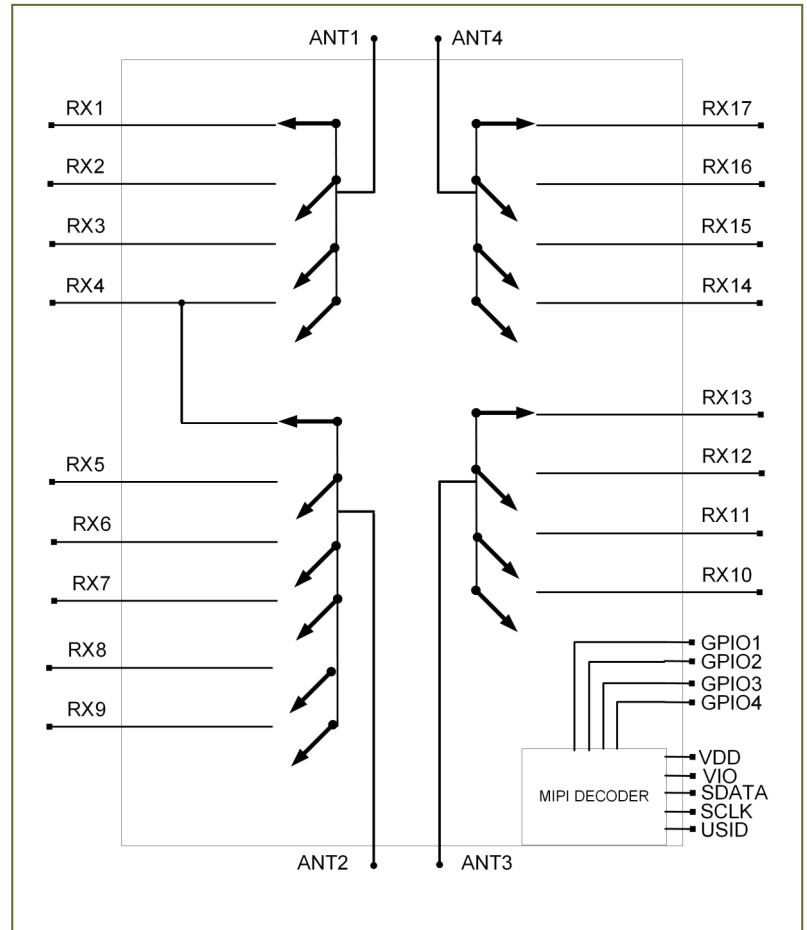


### Advanced Technical Data

#### Features

- ☑ CMOS SOI 4P17T switch from 100MHz to 2.69GHz.
- ☑ Designed for Receive Diversity Applications.
- ☑ Integrated MIPI decoder with pin configurable default USID.
- ☑ ESD protection on all ports including ESD protection between MIPI controller and RF ports.
- ☑ Very Low Insertion Loss across all bands.
- ☑ High Isolation between ports.
- ☑ Single supply with 2.3V to 3.4V operating range.
- ☑ No external capacitors required if no DC applied on RF lines.
- ☑ Small die for flip-chip assembly.
- ☑ Minimum Pitch 150µm.
- ☑ RohS compliant and rated to MSL1.



#### Description

The FE4H2701 is a CMOS SOI 4P17T switch designed for 4G diversity receive applications. It integrates a decoder compliant with the MIPI standard and the default USID is pin configurable allowing two instances of this device to be identified.

The switch runs from a single supply with a large operating range from 2.3V up to 3.4V. External DC blocking capacitors are not required on the RF ports unless there is a DC voltage externally applied to the ports.

The switch is fabricated using a high performance CMOS

SOI process optimized for RF front-end applications. It delivers low insertion loss across all the 4G bands, enabling high sensitivity and high linearity receive paths.

The FE4H2701 integrates ESD protection on all ports but also integrates ESD protection between the RF ports and the MIPI controller to support high reliability manufacturing.

The die will be available in die form for flip-chip assembly and is RoHS compliant to EU Directive 2002/95/EC. This device is rated to Moisture Sensitivity Level 1 (MSL1).

## Further Information

Please contact [sales@ferfics.com](mailto:sales@ferfics.com)