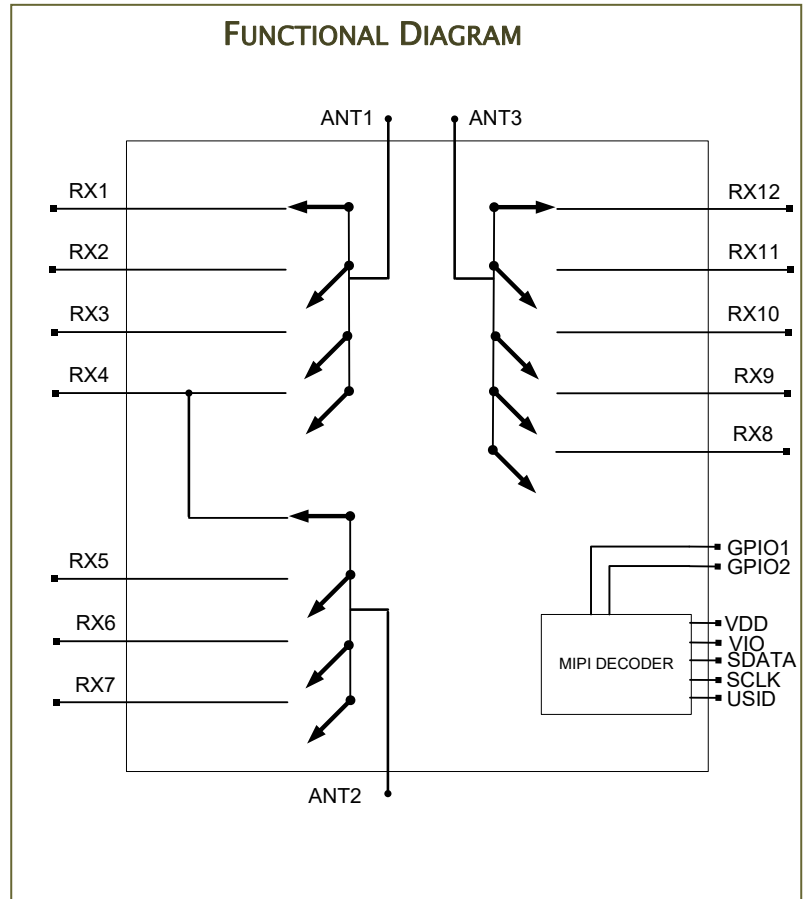


Advanced Technical Data

Features

- ☑ CMOS SOI 3P12T switch from 100MHz to 4GHz.
- ☑ Designed for Receive Diversity Applications.
- ☑ Integrated MIPI decoder with pin configurable default USID.
- ☑ ESD protection on all ports including ESD protection between MIPI controller and RF ports.
- ☑ Very Low Insertion Loss across all bands.
- ☑ High Isolation between ports.
- ☑ Single supply with 2.3V to 4.8V operating range.
- ☑ No external capacitors required if no DC applied on RF lines.
- ☑ Small die 0.80 mm x 0.845 for flip-chip assembly.
- ☑ Minimum Pitch 150µm.
- ☑ RohS compliant.



Description

The FE3C2703 is a CMOS SOI 3P12T switch designed for 4G diversity receive applications. It integrates a decoder compliant with the MIPI standard and the default USID is pin configurable allowing two instances of this device to be identified.

The switch runs from a single supply with a large operating range from 2.3V up to 4.8V. External DC blocking capacitors are not required on the RF ports unless there is a DC voltage externally applied to the ports.

The switch is fabricated using a high performance CMOS SOI process optimized for RF front-end applications. It delivers low loss across all the 4G bands, enabling high sensitivity and high linearity receive paths.

The FE3C2703 integrates ESD protection on all ports but also integrates ESD protection between the RF ports and the MIPI controller to support high reliability manufacturing.

The die will be available in die form for flip-chip assembly and will be RoHS compliant to EU Directive 2002/95/EC.

Further Information

Please contact sales@ferfics.com